

Hamlet

VESA Compatible
75x75 100x100

32"
MAX

USER MANUAL HM-SPMADA102

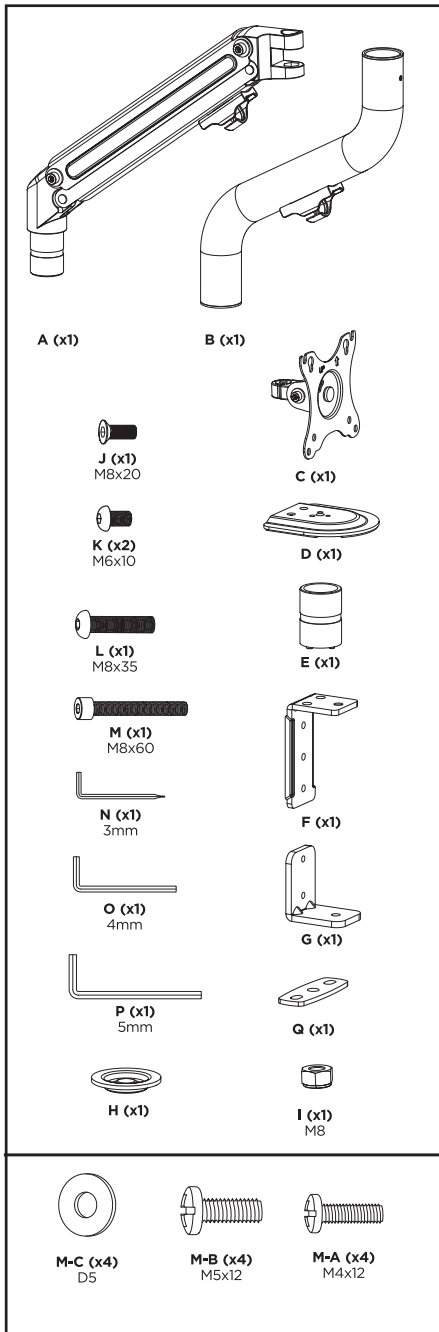
ADJUSTABLE DESK DISPLAY MOUNTING ARM (TILTING), 17" - 32", UP TO 9 KG

Features

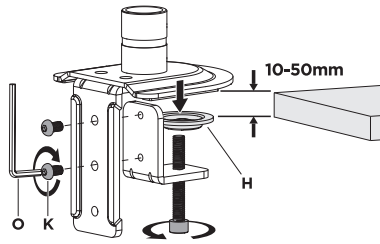
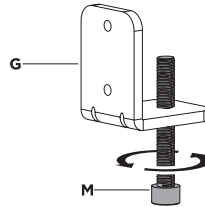
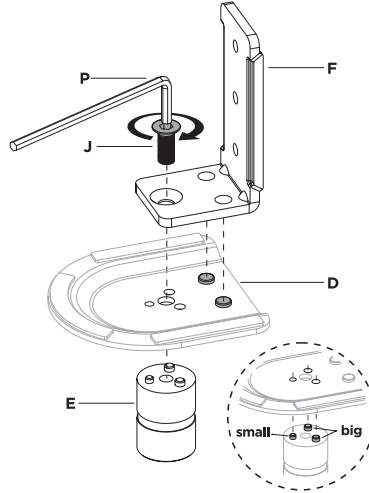
- Monitor desk mount with single monitor arm
- Arm rotates, extends and retracts, tilts to change reading angles, and allows to rotate display from landscape-to-portrait mode, etc
- Enables easy ergonomic positioning for reduced strain
- Works with almost any LCD monitor (max. 32")
- Durable adjustable gas-spring suitable for monitors of 2 - 9 kg
- Strong desk clamp or grommet for easy and secure fixation on your desk
- Built-in cable management for an organized and neat workspace
- VESA mounting compatible

Specifications

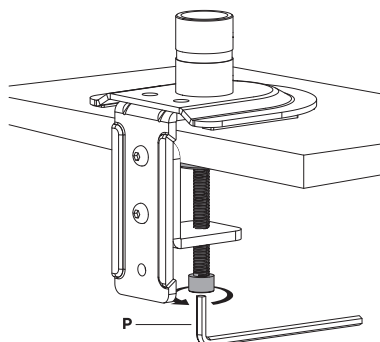
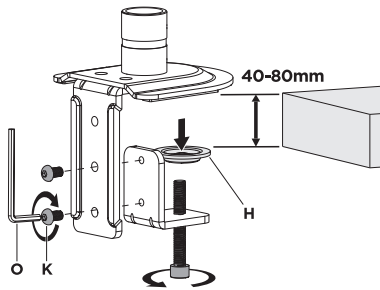
- Material: steel, aluminum, plastic
- Surface finish: powder coating
- Color: fine texture black
- Fit screen size: 17" - 32"
- Weight capacity: 2 ~ 8 kg
- VESA compatible: 100 x 100 mm, 75 x 75 mm
- Tilt range: +90° ~ -45°
- Swivel range: +90° ~ -90°
- Screen rotation: +180° ~ -180°
- Installation: clamp, grommet
- Suggested desktop thickness: Clamp: 10 ~ 80 mm
Grommet: 10 ~ 40 mm
- Cable management: yes
- Net weight: 2.1 kg



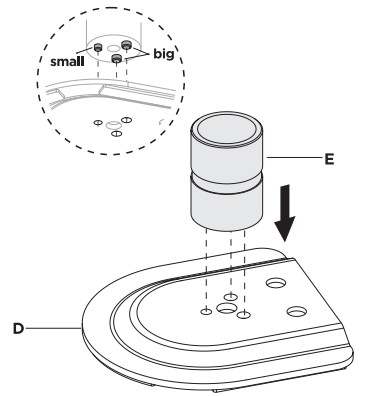
1 Clamp Mounting



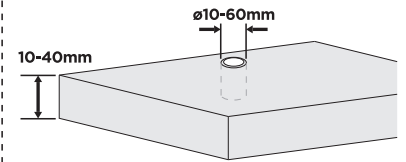
OR



Grommet Mounting



Desktop with Existing Through-Hole.



OR

