

# Hamlet

## TYPE-C TO SATA III ADAPTER 10 GBPS USB 3.1 GEN 2 TYPE-C



### USER MANUAL XADTC-SATA

[www.hamletcom.com](http://www.hamletcom.com)

Dear Customer,

thanks for choosing an Hamlet product. Please carefully follow the instructions for its use and maintenance and, once this item has run its life span, we kindly ask You to dispose of it in an environmentally friendly way, by putting it in the separate bins for electrical/electronic waste, or to bring it back to your retailer who will collect it for free.



**WEEE Information** (for European Union member users)

According to the WEEE (Waste Electrical and Electronic Equipment) Directive, do not dispose of this product as household waste or commercial waste. Waste electrical and electronic equipment should be appropriately collected and recycled as required by practices established for your country. For information on recycling of this product, please contact your local authorities, your household waste disposal service or the shop where you purchased the product.

We inform You this product is manufactured with materials and components in compliance with RoHS Directive 2011/65/EU, WEEE Directive 2002/96/CE, 2003/108/CE Italian Legislative Decree 2005/151 and EMC Directive 2014/30/EU for the following standards:

EN 55032: 2015

EN 61000-3-2: 2014

EN 61000-3-3: 2013

EN 55024: 2010 + A1: 2015

EN 61000-4-2: 2009



The complete CE declaration of conformity of the product can be obtained by contacting Hamlet at [info@hamletcom.com](mailto:info@hamletcom.com) specifying the product code and the documentation.

The information on the importer for your country are available in the "About Us" section of the Hamlet website at [www.hamletcom.com](http://www.hamletcom.com).

## **About this manual**

The material contained in this manual is for information purpose only. Contents, specifications and appearance of the product are indicative and may change without notice. Although this document has been compiled with accuracy, Hamlet assumes no responsibility for any errors or omissions and use of information contained in it. Hamlet reserves the right to modify or update the product and the manual without reservation and without notice.

## **Trademarks**

All trademarks and company names mentioned in this manual are used for description purpose only and remain property of their respective owners.

## **Safety Instructions**

Always read the safety instructions carefully.

- Keep this User's Manual for future reference
- Keep this equipment away from humidity

If any of the following situations arises, get the equipment checked by a service technician.

- The equipment has been exposed to moisture
- The equipment has been dropped and damaged
- The equipment has obvious sign of breakage
- The equipment has not been working well or you cannot get it to work according to the User's Manual

## **Important information**

Any loss, corruption or destruction of data while using a Hamlet device is the sole responsibility of the user, and under no circumstances will Hamlet be held liable for the recovery or restoration of this data. To help prevent the loss of your data, it is highly recommended that you keep TWO copies of your data; one copy on your external hard drive, for instance, and a second copy either on your internal hard drive, another external hard drive or some other form of removable storage media.

---

# 1. Introduction

---

The Hamlet USB 3.1 Type-C to SATA Adapter allows you to easily connect a Serial ATA Hard Disk or SSD drive to computers equipped with new USB Type-C port. The included external enclosure allows you to turn your 2.5-inch Hard Disk into a convenient external drive.

## Features

- External USB 3.1 Type-C adapter for SATA Hard Disk Drives
- Compatible with 2.5-inch HDD and SSD drives
- USB 3.1 Gen 2 Type-C interface (10 Gbps)
- External enclosure for 2.5" HDD included
- Powered via USB port
- Plug and Play & Hot-swappable

## Specifications

- Compliant with SuperSpeed+ USB 3.1 Gen 2 standard
- Data transfer rate up to 10 Gbps
- Supports 2.5" SATA I/II/III HDD
- Adapter dimensions: 70.5 × 26.8 × 12.5 mm
- Adapter weight: 20 g
- Cable length: 16.5 cm
- HDD enclosure dimensions: 130 × 75 × 16 mm

## Package Contents

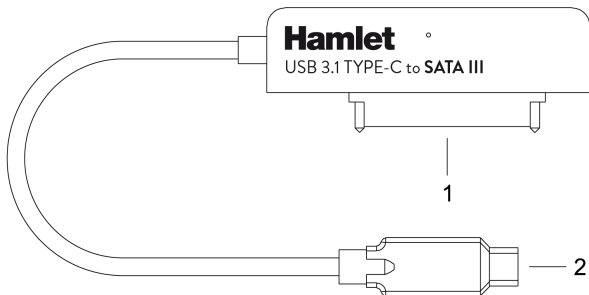
- USB 3.1 Type-C to SATA Adapter
- 2.5-inch HDD enclosure
- User manual

## System Requirements

- Windows 7/8 and 10, Mac OS 10.6 or above, Linux\*
- Computer with USB Type-C port

\* Please check that kernel version of your Linux system supports USB 3.1 SuperSpeed+ (10Gbps) protocol.

## Product Overview



1. Serial ATA connector for Hard Disk
2. USB Type-C plug for computer connection

---

## 2. Installation and use

---

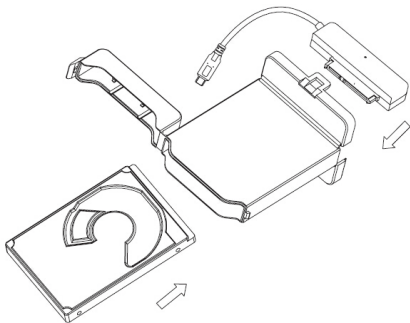
The USB 3.1 Type-C to SATA adapter can be used alone to directly connect a Hard Disk to the computer or in combination with the provided external case to create an external hard drive.

### Direct connection to Computer

1. Connect a 2.5" SATA Hard Disk to the Serial ATA connector of the adapter.
2. Plug the adapter's cable into an available USB Type-C port of your computer.
3. The adapter and the HDD will be recognized automatically by the operating system without the need to install drivers.

## Use as external Hard Drive

1. Insert the adapter into the external enclosure.
2. Insert a 2.5" SATA Hard Disk into the other side of the external enclosure and connect it to the SATA connector of the adapter.
3. Close the plastic enclosure and plug the adapter's cable into an available USB Type-C port of your computer.
4. The adapter and the HDD will be recognized automatically by the operating system without the need to install drivers.



### Important Note

You must partition and format a new and unused hard disk before using it. If you connect a new and unused hard disk, it will not appear as a new drive on your computer.